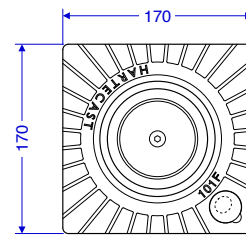


This new innovative retention socket designed by Hartecast is available in 2 sizes:

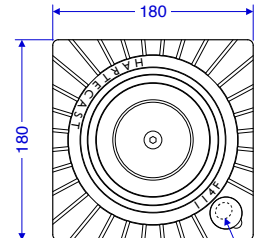
- 101mm Diameter posts
 - 114mm Diameter posts
- for bollards, signs and other street furniture products.

Retention Socket Specifications:

- New unique design to suit 101mm and 114mm Diameter posts
- Non Slip flush socket with no flip lid door (not a trip hazard)
- No Padlock
- Easy to install with small footprint
- Simple to remove and engage bollard (all carried out over ground level)
- Locking system is a anti tamper 16mm large grub screw
- Permanently fixed centre - but can be removed for cleaning purposes
- Heavy duty cast ductile iron construction
- Galvanised & powder coated
- Patent Pending design

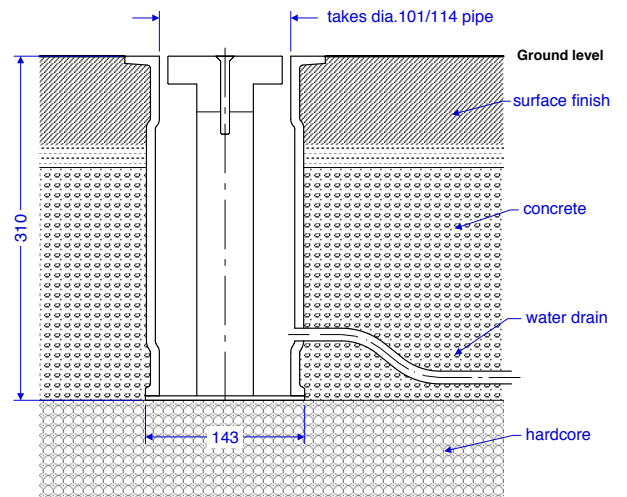


HCI01F



anti-tamper clamping bolt (beneath dust cover)

HCI14F



Concrete Foundations:

The socket goes 310mm underground level, allow 500x500x310mm concrete pad. Allow hardcore for drainage under the socket.

available in sizes to take 101mm and 114mm posts