

**HC2026B Bench** (Root Fixed. Light Oak timber stain)



(Dark Teak timber stain)

**HC2026B Product Specifications:**

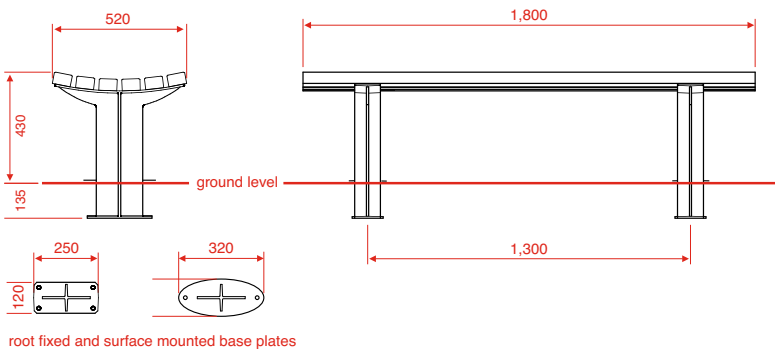
- Timber and cast ductile iron bench without back support.
- Length 1800mm.
- Supports are manufactured from 10mm cast ductile iron which is more durable than cast iron.
- The ductile iron components are galvanised with powder coat finish, as we manufacture all our products in house we can arrange any colour combination you require, see our colour palette section.
- Timber slats are 70x40mm FSC approved mahogany treated with a protective wood stain coating.
- Fixtures and fittings are stainless steel.
- Supports can be root fixed or surface mounted.

**Fitting:** *Surface Mounted:* There are 2 fixing points on each support. *Root Fixed:* The root fixing is a base plate 130 mm underground level with 4 fixing points on each support.

**Concrete Foundations:** Recommended concrete foundation 2000 x 800 x 150mm.

**Options Available:**

- Protective wood stain can be in light oak or dark teak.
- Recycled composite timber is also available as an alternative to hardwood.



root fixed and surface mounted base plates