

# HC2010DC BOLLARD RANGE



## HC2010DC Bollard Product Specifications:

- Stainless steel bollard with cast stainless steel collar & cap.
- The contrasting colour top pipe can be 50/100/150mm high (*this is powder coated and not a sticker*).
- 316 grade stainless steel.
- Pipe is 114mm dia with a 4mm thickness
- 900mm overground level and 300mm underground level.
- Powder coat finish, as we manufacture all our products in house we can arrange any colour combination you require, see our colour palette section.
- Fixed and removable versions with retention sockets available.
- DDA compliant for visually impaired.

**Fitting:** Fixed bollard is fixed underground level in concrete, removable bollard comes complete with retention socket.

## Concrete Foundations:

*Fixed Bollard:* 500 x 500 x 300mm.  
*Removable Bollard:* 500 x 500 x 300mm (hardcore for drainage is recommended under the socket before the concrete).

## Options Available:

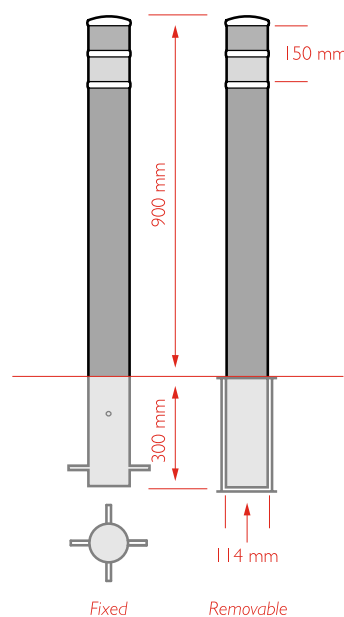
- Range of retention sockets available.
- Ram Raid.
- Other lengths available on request.

## Specifications:

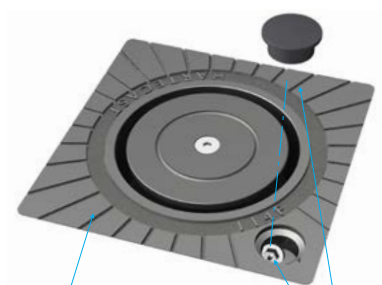
Pipe (Dia)	114 mm
Wall Thickness	4 mm
Overground	900 mm
Underground	300 mm

## HC2010DC Bollard

with Double Collar



HC114R Stainless Steel Retention Socket



HC114F Ductile Iron Retention Socket