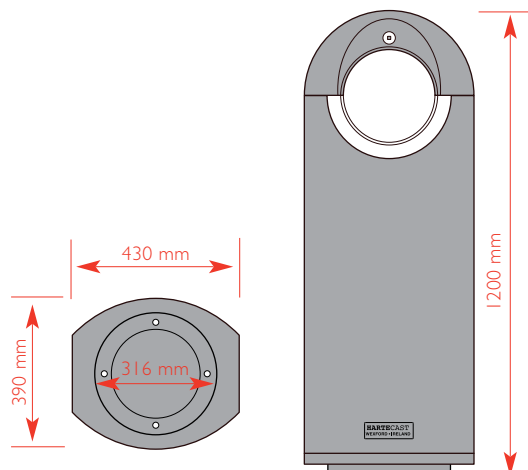


HC2056 RANGE





HC2056 Litter Bin Product Specifications:

- Round top cast ductile iron litter bin with full circle aperture 240mm diameter.
- Elliptical in Shape with 2 litter posting apertures.
- 100 litre capacity.
- Manufactured from 12mm cast ductile iron with 316 grade stainless steel.
- Extremely vandal and impact resistant.
- Dimensions 1200 x 430x390mm.
- Stainless steel aperture rim to protect paint work and prevent chipping.
- Fully galvanised with powder coat finish, as we manufacture all our products in house we can arrange any colour combination you require, see our colour palette section on page 109.
- Stainless steel stubber plate with key operated ash hopper: Common key for rubbish and ash bin access for easy emptying.
- Robust and anti-vandal hinging mechanism, using 16mm stainless steel shaft on door.
- Heavy duty sealed plastic liner to prevent liquid leaking from bin.
- Supplied with detachable base plate both for ease of installation and removal without disturbing ground fixings.

Fitting: There are 4 fixing points on the base for fitting to the ground by means of anchoring bolts.

Concrete Foundations: Recommended concrete foundation 900 x 900 x 150mm.

Options Available:

- Galvanised steel liner is also available
- Levelling plates to help cater for different street gradients.
- Optional advertising panel available if required.



Stubber Plate and Ash Hopper



Optional Levelling Plates instantly level the bin on different street gradients